

# CMI "TUF-CUP" DRIP SHIELD



PRODUCT INFORMATION SHEET	
<b>File Number:</b> PDS1020	<b>Issued:</b> 09/01/15
<b>Availability:</b> Immediately	<b>Supercedes:</b> 09/01/11

*The Central Moloney Components "Tuf-Cup" Drip Shield is your solution for meeting the demands for a tougher, more durable drip shield that adapts to all brands of bayonet fuse holders.*

The "Tuf-Cup" is a molded cup type drip shield that won't break or fall off and is available with or without a removable absorbent pad. They are designed to withstand severe physical abuse without failure, and have the strength of attachment necessary to remain in place if bumped by the hot stick during fuse removal.

A cup type drip shield provides much better protection against oil spillage upon fuse removal than angled styles. Since bayonet fuses are typically located directly over the primary elbows, it is extremely important that oil be prevented from dripping on the primary connections. Oil can damage the rubber material of the elbows. Also, there is growing environmental concern about oil spillage.

**SUPERIOR DESIGN**

CMI "Tuf-Cup" Drip Shield is made from a long-lasting engineered polypropylene

copolymer. The key to the strength of the "Tuf Cup" is the unique tethered latch. Molded into the design (so it cannot get lost), the latch fastens the drip shields solidly to the bayonet fuse holder. Unlike other drip shield designs which are prone to break or fall off with the slightest force, the "Tuf Cup" is nearly impossible to dislodge. For example, this drip shield can withstand 25 pounds of weight applied to the lip of the cup. This is the ruggedness a drip shield requires to withstand the inevitable abuse of hot stick fuse installation and removal.

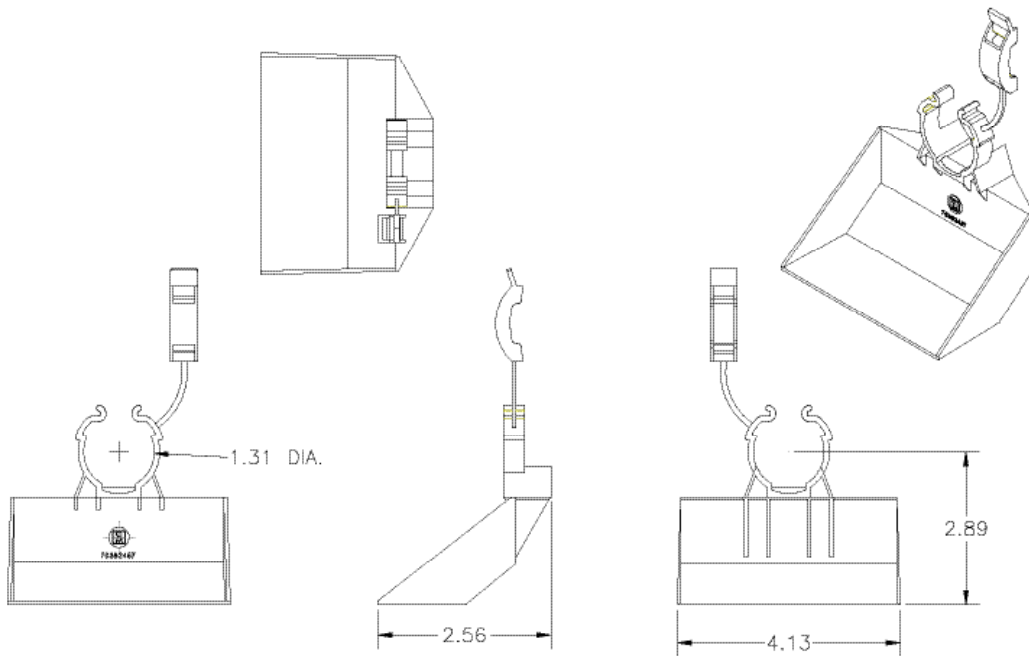
To ensure better oil capture and provide a convenient means of oil removal, the Central Moloney Components "Tuf Cup" is now available with an optional retained oil absorbent pad. The pad effectively captures and holds the spilled oil to reduce the possibility of oil contamination on ground soil, primary elbows and secondary cables.



*"Tuf-Cup" Drip Shield with and without optional removable absorbent pad*

The pad is held in place with a uniquely designed stainless steel retainer which permits easy replacement of saturated pads. Specify the Central Moloney Components "Tuf Cup" Drip Shield with "retained absorbent pad".

# CMI "TUF-CUP" DRIP SHIELD



**CENTRAL MOLONEY INCORPORATED**  
**COMPONENTS**  
*An ISO 9001 Company*

## APPLICATION

The "Tuf Cup" drip shield can be used with all brands of bayonet fuse holders.

## INSTALLATION

Despite the fact that the "Tuf Cup" is so strong, it is easily installed or removed. To install, snap the ears around the bayonet body and position so the latch engages the groove on the bottom side as well as the

protrusions on either side. Hold both halves of the latch in place from beneath with one hand, engage the tethered end of the cap first, and then press down on the center of the cap. The other end of the cap will snap in place.

## ORDERING

Reference Part #**70382457** ("Tuf Cup" Drip Shield only), **70382458** ("Tuf Cup" Drip Shield with Stainless Retainer and Absorbent Pad) and **70382402** (Replacement Absorbent Pad).

## ABOUT US

Central Moloney Components has built an established record through incredible growth in advanced manufacturing technology. Since its inception in 1970, Components has been constantly searching for new ways to improve the performance and reliability of our products. Innovation, design quality, flexibility, and delivery are all a part of the continuing story of Components.

5500 Jefferson Parkway  
Pine Bluff, AR 71602  
Tel (870) 247-5320  
Fax (870) 247-5369  
info@centralmoloneyinc.com



www.centralmoloneyinc.com