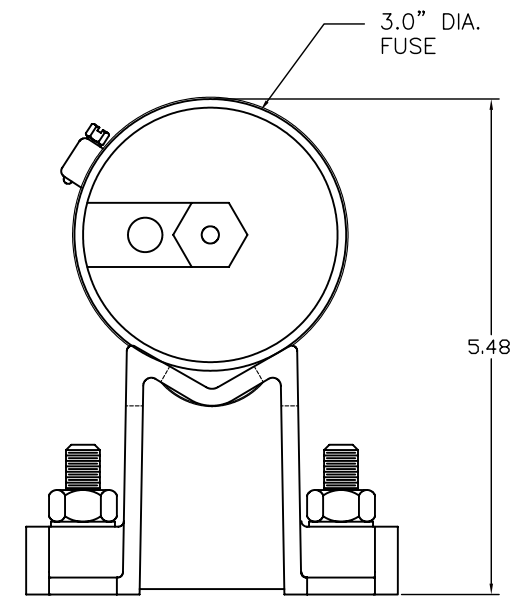
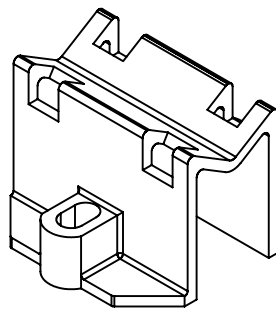


CUSTOMER DATA SHEET

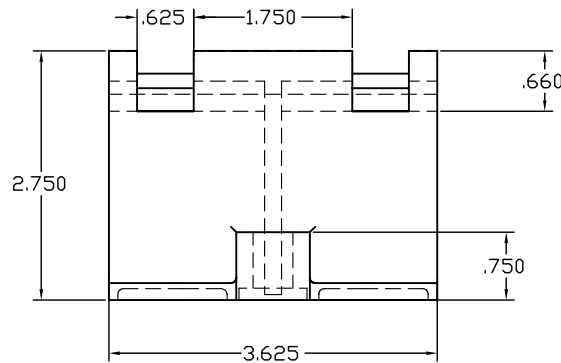
CL FUSE HOLDER

PART NUMBER	DESCRIPTION
70383950	BASE
70383951	BASE W/(2) SMALL HOSE CLAMPS FOR 2.25" MAX. DIA. FUSE
70383952	BASE W/(2) LARGE HOSE CLAMPS FOR 3.0" MAX. DIA. FUSE
31111308	SMALL S.S. HOSE CLAMP ONLY
31111307	LARGE S.S. HOSE CLAMP ONLY



FEATURES

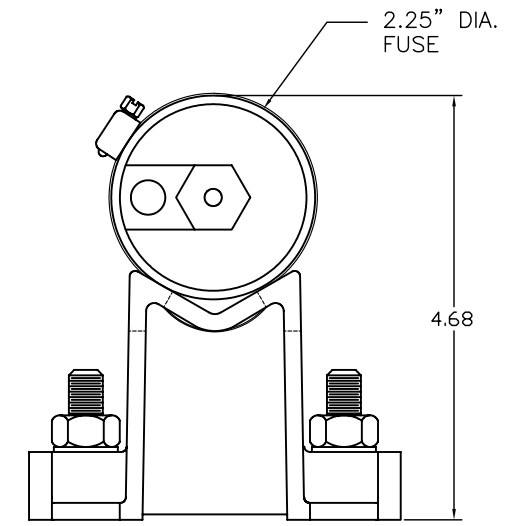
- STRONG DURABLE DESIGN
- MOLDED OF HIGH TEMPERATURE ENGINEERING GRADE THERMOPLASTIC.
- UNIVERSAL DESIGN—ONE HOLDER AND MOUNTING PATTERN CAN BE USED FOR ALL FUSES.
- ALL MOUNTING PLANES ALLOWED.



MOUNTING INSTRUCTIONS

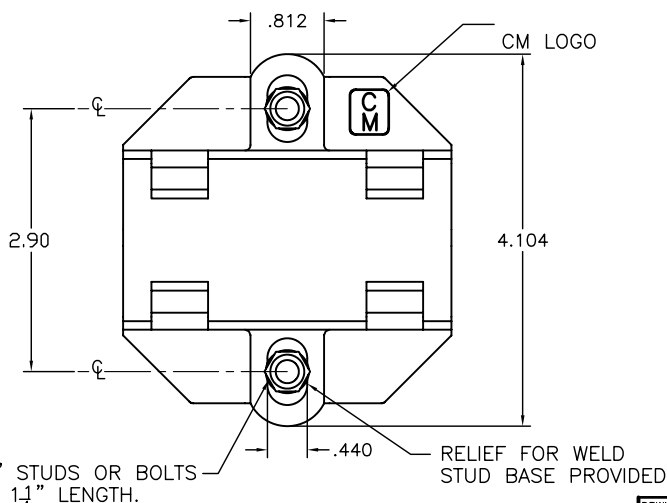
1. CENTER FUSE ON THE HOLDER. INSTALL METAL SCREW TYPE HOSE CLAMPS THROUGH SLOTS AND TIGHTEN SECURELY AROUND FUSE (APPROX. 10-12 IN.-LBS.)
2. MOUNT BASE WITH .375" WELD STUDS OR BOLTS, USE FLAT WASHER AND LOCK WASHER.
3. TIGHTEN HARDWARE TO 60-70 IN.-LBS.

NOTE: USE OF NON-METALLIC STRAPS IS NOT RECOMMENDED.



ELECTRICAL RATINGS

VOLTAGE CLASS.....	35 KV
MAX. LINE TO GROUND.....	21.1 KV
AC 60 Hz (1 MIN.).....	70 KV
IMPULSE B.I.L.....	200 KV
MIN. CORONA LEVEL.....	26 KV




STUD MOUNTING PATTERN

TYP. INSTALLATION HEIGHTS

NOTE: DIMENSIONS ARE IN INCHES AND ARE FOR REFERENCE ONLY.

DESCRIPTION

CENTER MOUNT CL FUSE HOLDER

DRWN BY: R.O.	 Central Moloney, Inc. Components Operation <small>5500 Jefferson Parkway—Phone (870) 247-5320—Pine Bluff, Arkansas 71602</small>
DATE 11/16/01	
NO. CDS 38 001	REV. DATE 0 11/16/01