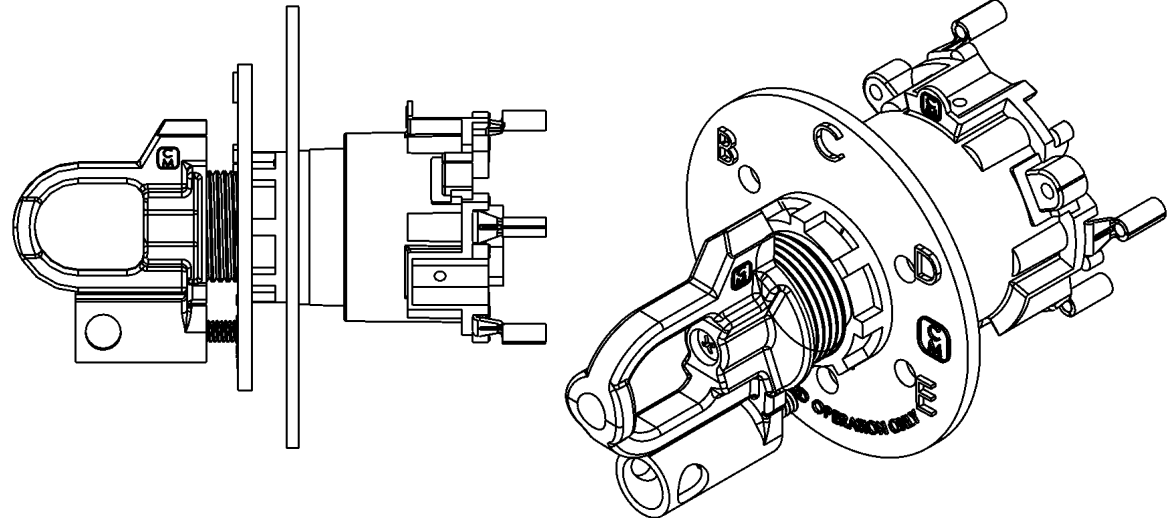




- Tin plated, snap action copper contacts
- Switch body, rotor, handle, and mounting nut are made from a high strength glass filled engineering thermoplastic.
- Double viton o-ring shaft seal
- Multiple indicator plate/handle kit combinations available
- Indicator plates have molded identifiers for permanent readability.



Electrical Ratings

Continuous amperes-series.....100
 Impulse level full wave-KV L-G.....150
 60 Hz withstand 1 minute-KV L-G.....50

Terminal Options

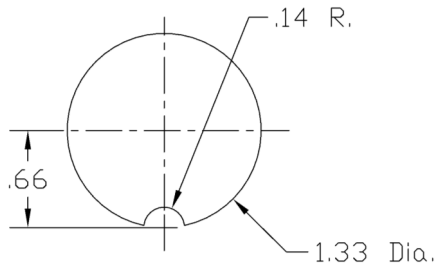
| Terminal Types | Part Number |
|---------------------------------|-------------|
| 0° - #10-12 (Single Deck) | 70339120 |
| 0° - #10-12 (Two Deck) | 70339150 |
| 0° - #10-12 (Three Deck) | 70339175 |
| 90° Bolt Tab—1/4" (Single Deck) | 70339121 |
| 90° Bolt Tab—1/4" (Three Deck) | 70339176 |

Hardware Kits*

| Handle | Indicator Plate** | |
|-----------|-------------------|-----------|
| | A-B-C-D-E | 1-2-3-4-5 |
| Lever | 70339119 | 70339116 |
| Hot Stick | 70339118 | 70339115 |

Mounting details

- Maximum wall thickness is .250".
- Mounting hole:

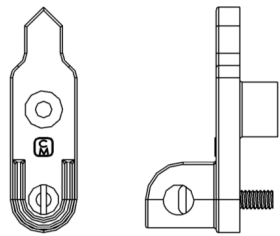


*-Gasket and mounting nut included in all kits.

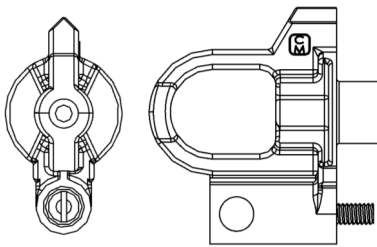
**-Contact factory for indicator plates with other designations.

Note: dimensions given are in inches and are for reference only.

Handles

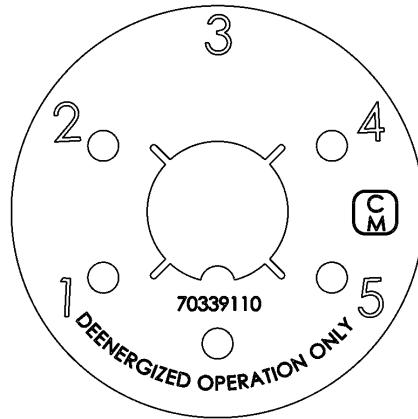
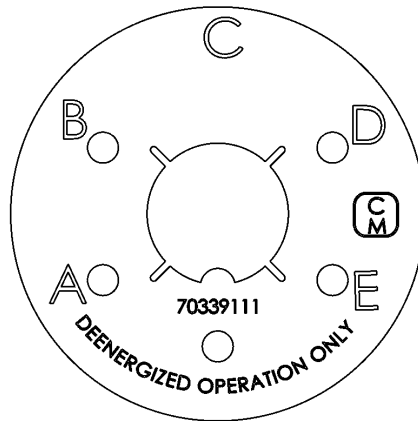


Lever Handle

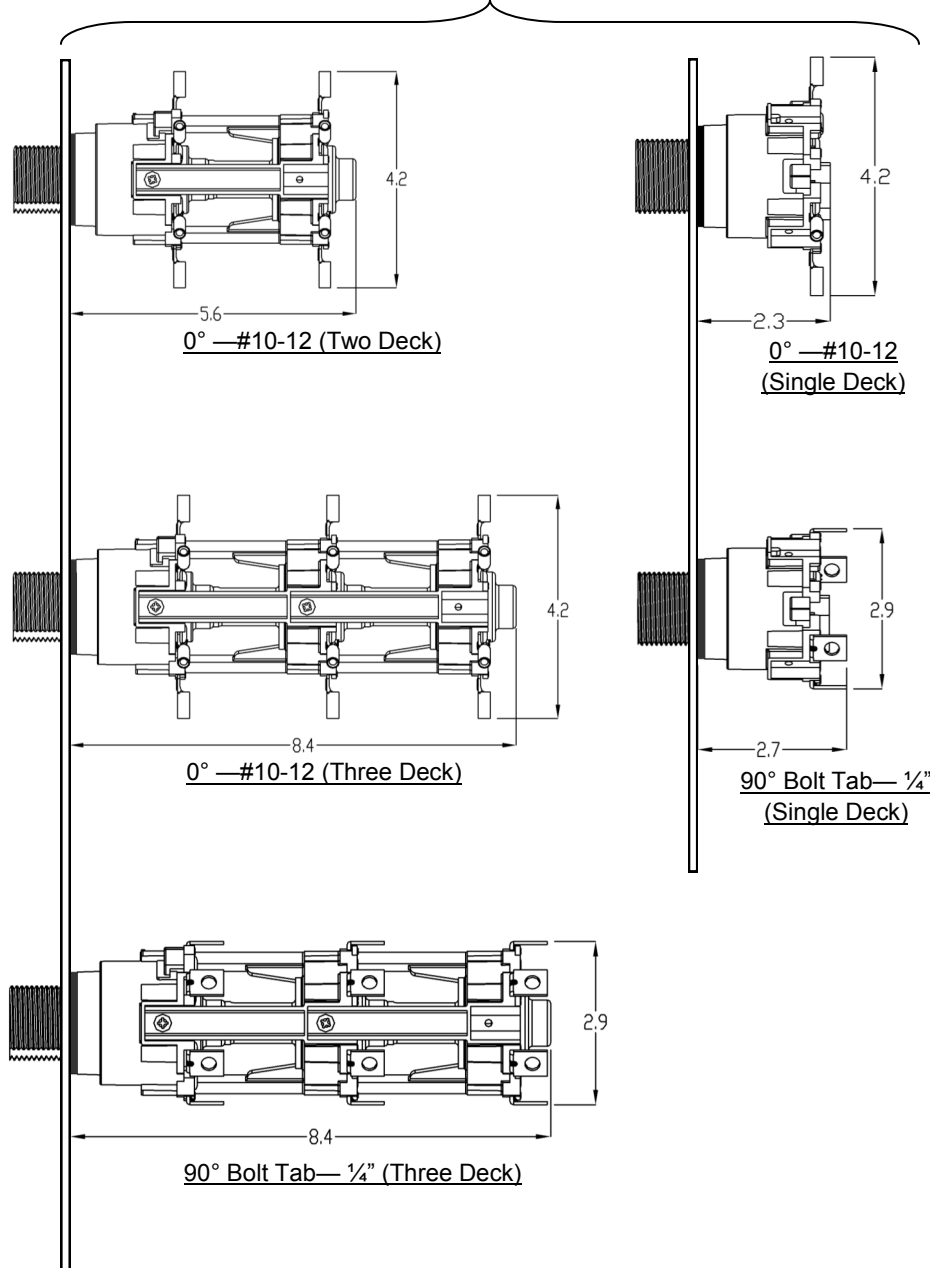


Hot Stick Handle

Indicator Plates



Terminal Types



Note: Dimensions given are in inches and are for reference only.