



Installation

- See Figure 1 for mounting hole detail.
- See Figures 2 and 3 for installation sequence.
- Mounting nut torque — 90-110 in-lbs.
- Handle screw torque — 20-25 in-lbs.
- Nameplate is designed for press fit installation. No retainer is required.
- Set switch in appropriate position and tighten locking screw. Ensure that screw engages the hole in nameplate.

Minimum clearance requirements to top oil, other phases or ground	
KV BIL	Clearance
95	1.2"
125	1.6"

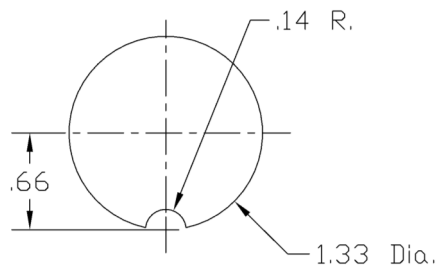


Figure 1 — Mounting Hole

Operation

- Verify transformer is de-energized.
- Back out locking screw until it clears the indicator plate.
- Rotate handle until pointer indicates desired position.
- Tighten locking screw. Make sure screw engages hole on nameplate.

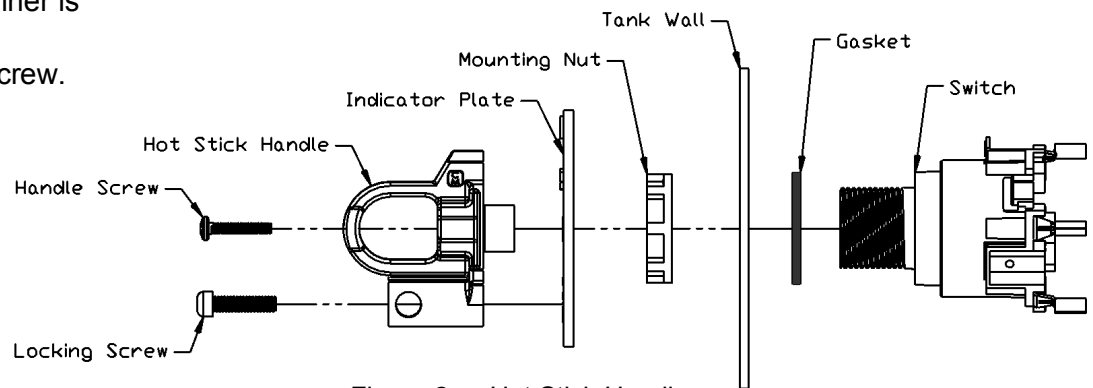


Figure 2 — Hot Stick Handle

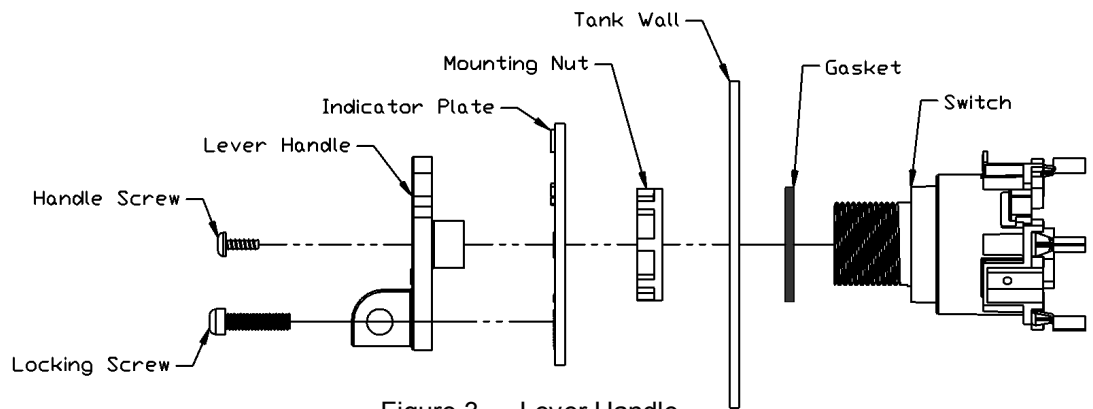


Figure 3 — Lever Handle

Note: Dimensions given are in inches and are for reference only.