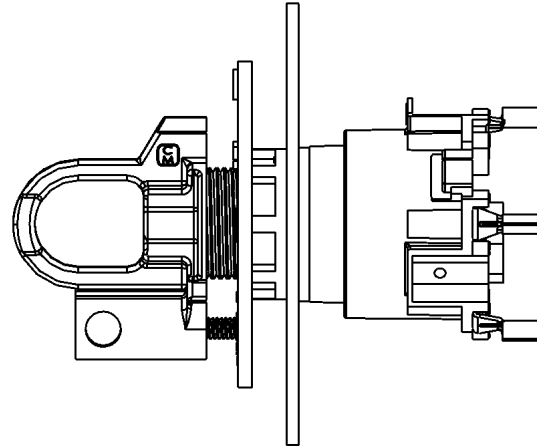
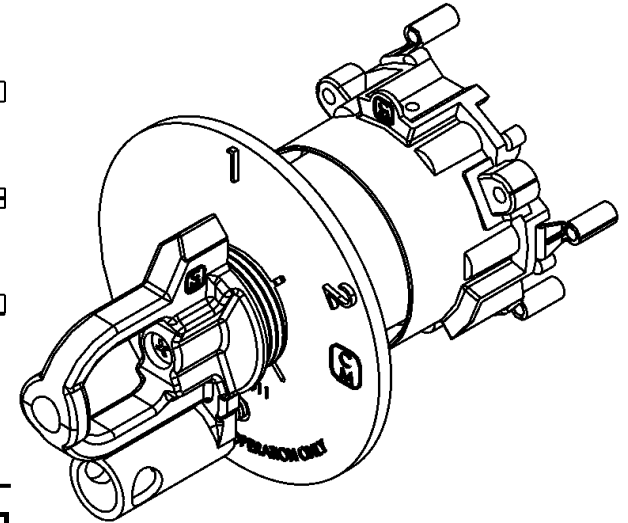




- Tin plated copper contacts
- Switch body, rotor, handle, and mounting nut are made from a high strength glass filled engineering thermoplastic.
- Built-in internal stops ensure correct contact positioning.
- Double viton o-ring shaft seal
- Multiple indicator plate/handle kit combinations available
- Indicator plates have molded identifiers for permanent readability.
- 2:1 or lower ratios only



Terminal Options

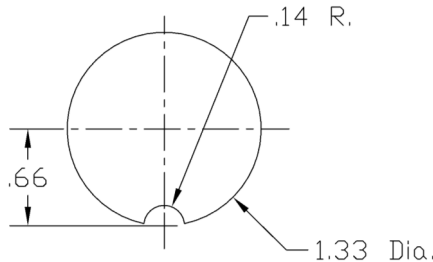


Electrical Ratings

Continuous amperes-series.....	50
Continuous amperes-parallel.....	100
Impulse level full wave-KV L-G.....	125
60 Hz withstand 1 minute-KV L-G.....	40

Mounting details

- Maximum wall thickness is .250".
- Mounting hole:



Terminal Types	Part Number
90° - #10-12	70327051
90° - #8	70327058
45° - #10-12	70327052
45° - #14-16	70327053
0° - #10-12	70327050
90° Bolt Tab—1/4"	70327055
45° Bolt Tab — 1/4"	70327054
90° Clinch Stud — 5MM	70327056
90° Clinch Stud — 1/4-20	70327057

Hardware Kits*

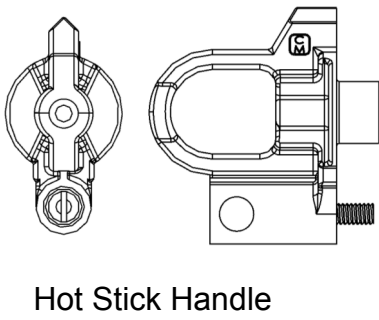
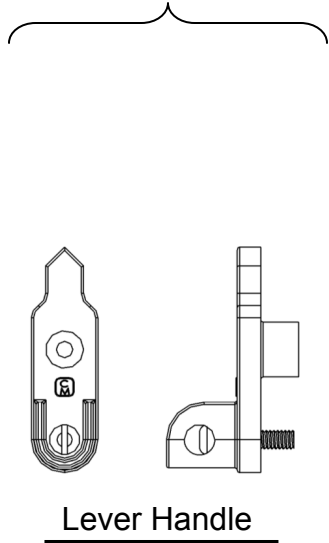
Handle	Indicator Plate**	
	A-B	1-2
Lever	70327019	70327021
Hot Stick	70327020	70327022

*-Gasket and mounting nut included in all kits.

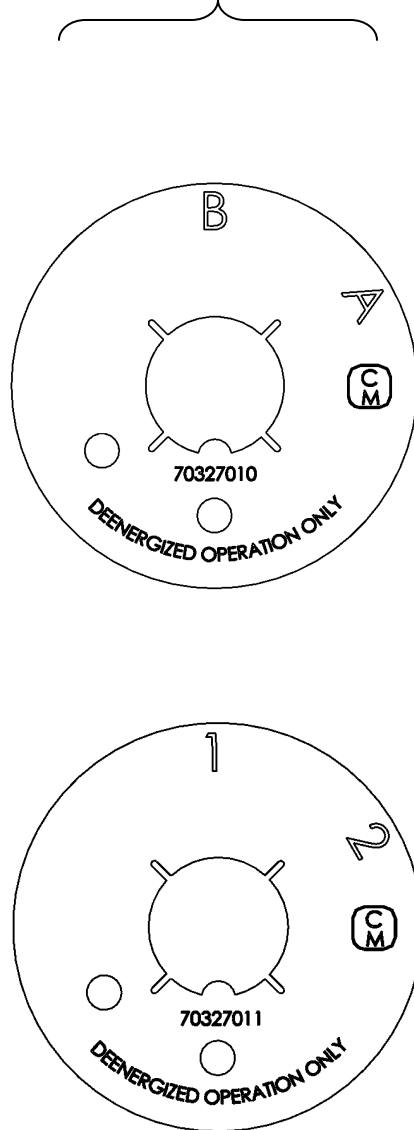
**-Contact factory for indicator plates with specific voltage designations.

Note: dimensions given are in inches and are for reference only.

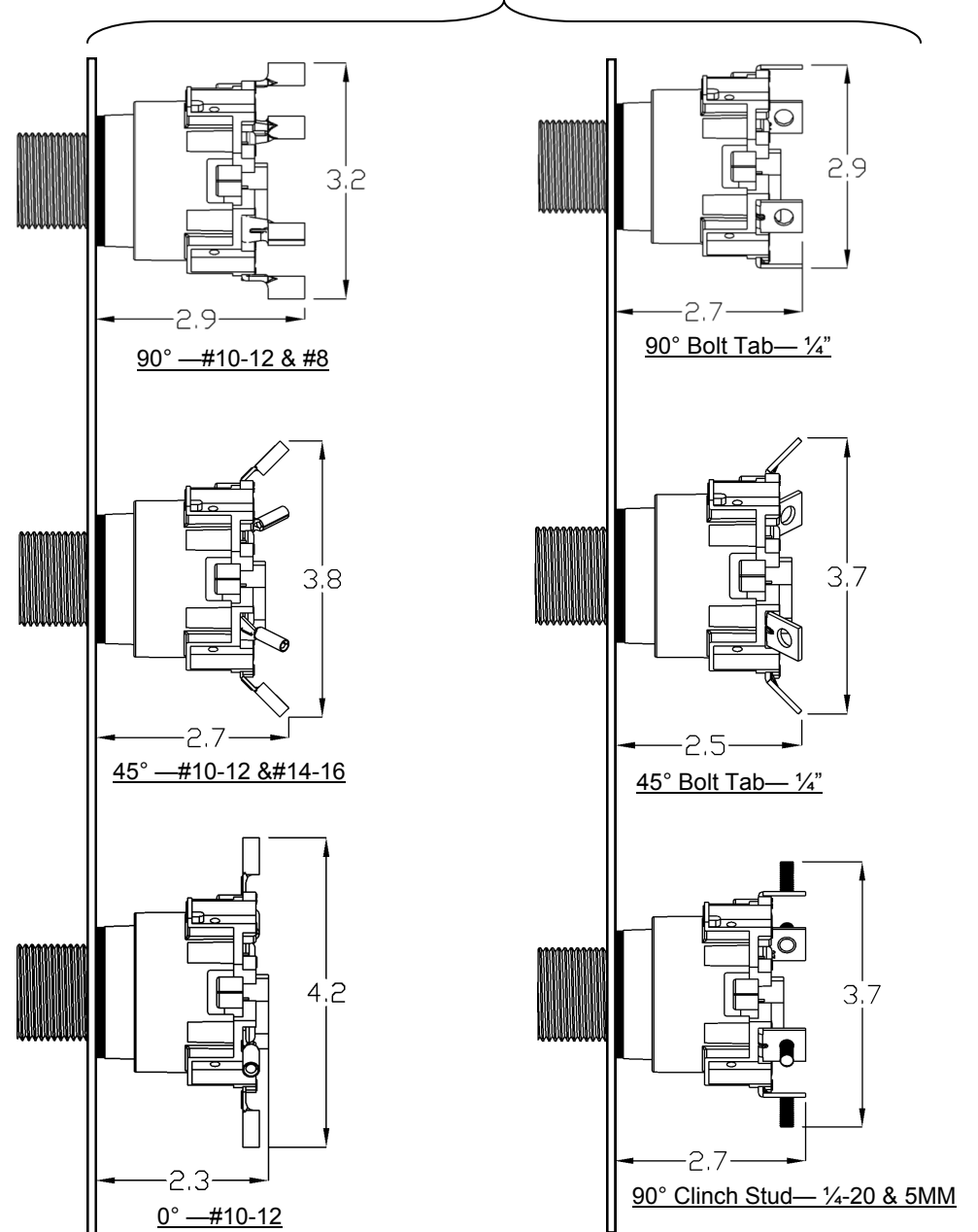
Handles



Indicator Plates



Terminal Types



Note: Dimensions given are in inches and are for reference only.