

GENERAL INFORMATION

C.T. JUNCTION BLOCKS ARE AVAILABLE IN FOUR STYLES AS SHOWN IN FIGURES 1, 2, 3 AND 4 ON PAGE 2.

STANDARD LEADS IN ALL OF THE C.T.BLOCKS ARE MADE OF #10 AWG STRANDED COPPER WIRE WITH HIGH TEMPERATURE TEFLON INSULATION. ALL LEADS ARE INTERNALLY JOINED WITH SEALED BUTT CONNECTORS AND ARE IDENTIFIED USING NUMBERED HEAT SHRINK TUBING. THE COMPLETE ASSEMBLY, INCLUDING GASKET, IS RATED TO SEAL FROM VACUUM TO 20 PSI. THE ASSEMBLIES CAN BE INSTALLED COMPLETELY IN AIR OR UNDER OIL, AS ALL MATERIALS USED ARE FULLY COMPATIBLE WITH TRANSFORMER OIL.

ELECTRICAL RATINGS (IN AIR)

APPLIED POTENTIAL TEST:  
 2.5 KV, 60 HZ., 1 MINUTE, BETWEEN  
 ADJACENT LEADS AND TO GROUND.

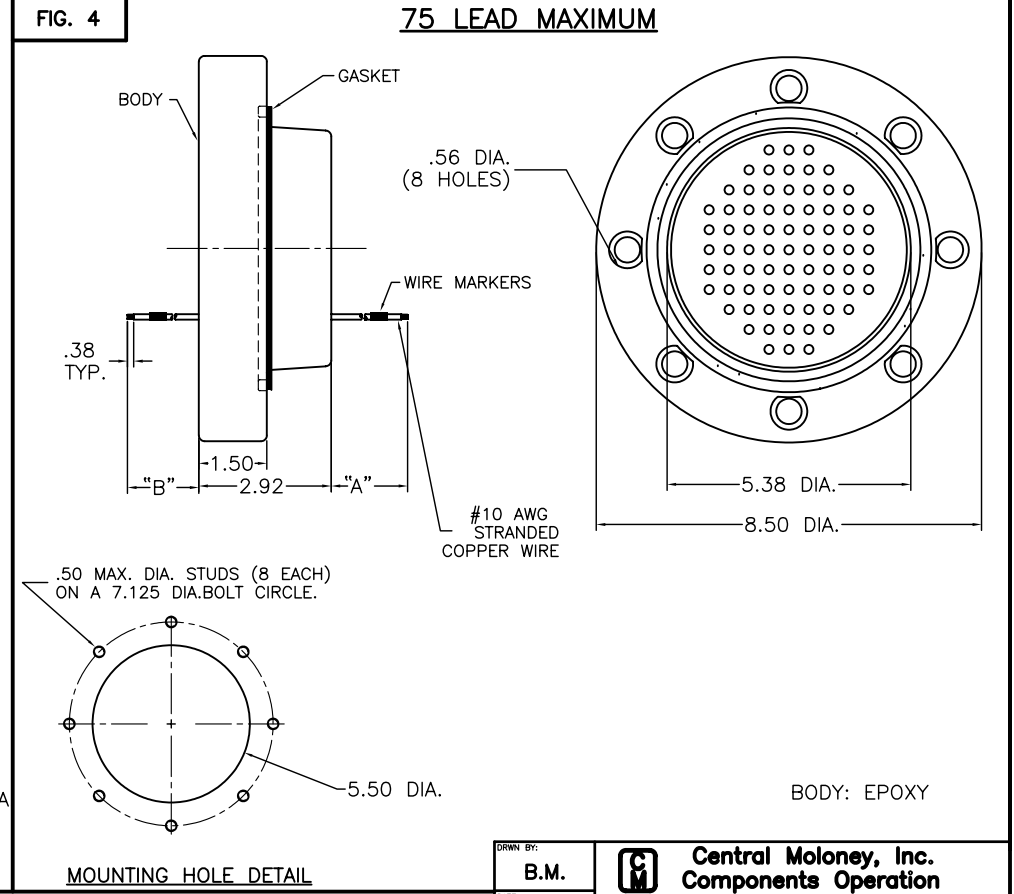
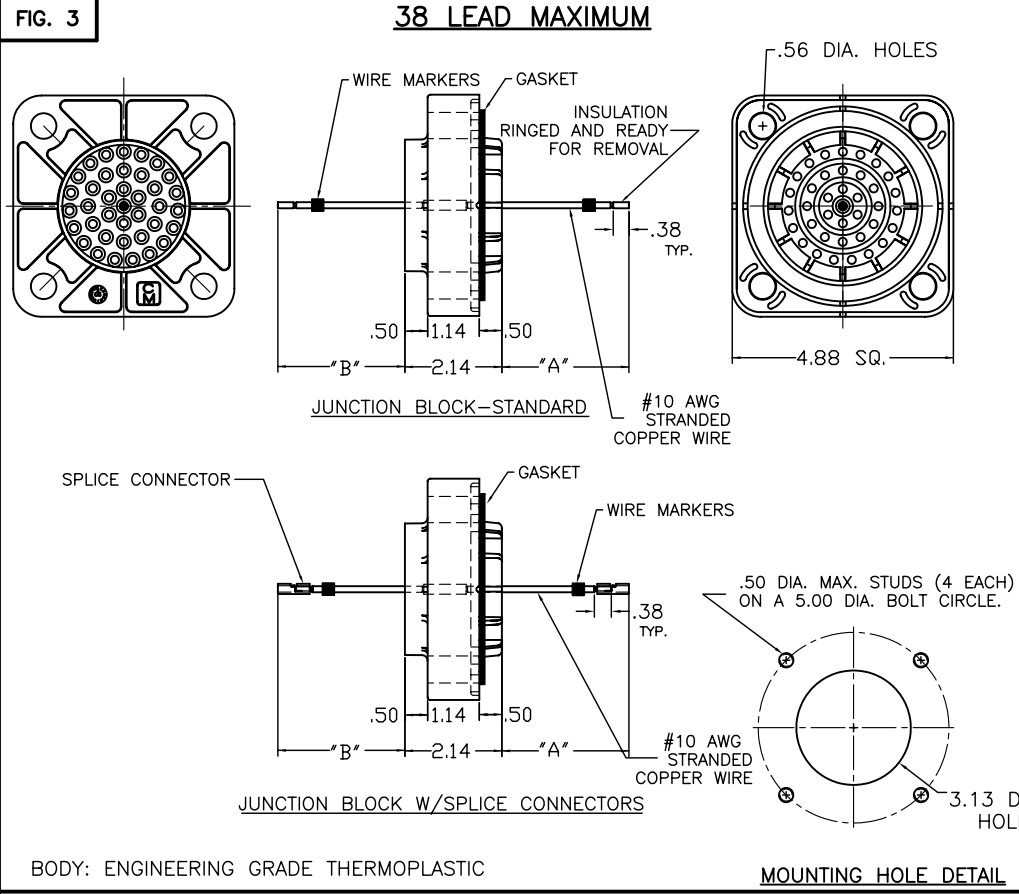
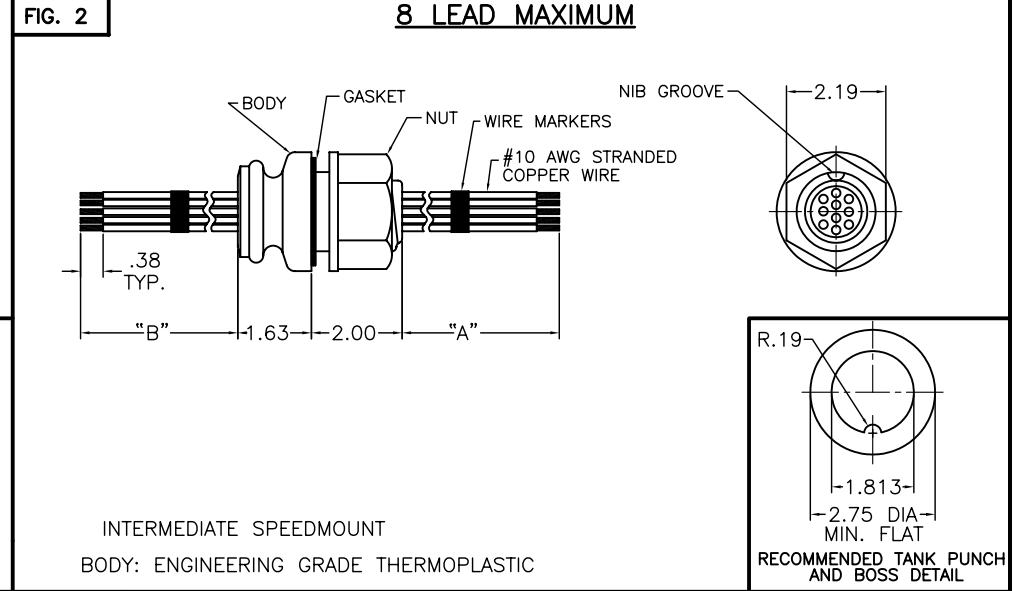
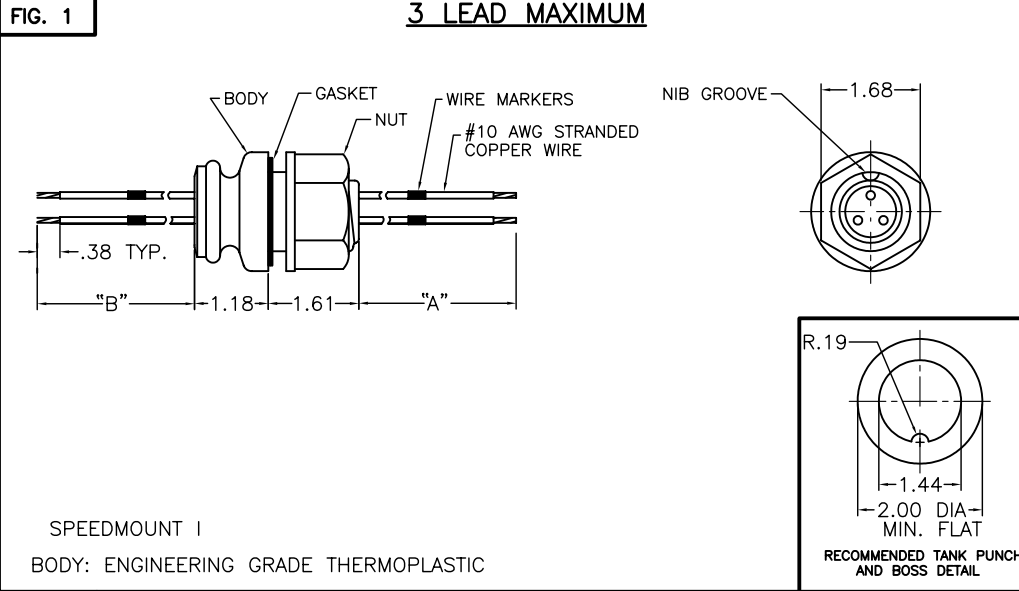
MOUNTING TORQUE RECOMMENDATIONS

FIGURE NO. 1.....12-14 FT.-LBS.  
 FIGURE NO. 2.....28-32 FT.-LBS.  
 FIGURE NO. 3 AND 4.....18-20 FT.-LBS.

TITLE

C.T. JUNCTION BLOCK

DRWN BY: <b>B.M.</b>	 <b>Central Moloney, Inc.</b> <b>Components Operation</b> <small>5500 Jefferson Parkway—Phone (870) 247-5320—Pine Bluff, Arkansas 71602</small>	NO.	REV. DATE
DATE <b>6/13/00</b>		<b>CDS 31 001</b>	<b>4</b>



TITLE **C.T. JUNCTION BLOCK**

DRAWN BY: <b>B.M.</b>	<b>Central Moloney, Inc.</b> Components Operation <small>5500 Jefferson Parkway—Phone (870) 247-5320—Pine Bluff, Arkansas 71602</small>	DATE: <b>6/13/00</b>	NO. / REV. / DATE: <b>CDS 31 001</b>	REV. / DATE: <b>4 11/8/07</b>
BODY: ENGINEERING GRADE THERMOPLASTIC				

# CUSTOMER DATA SHEET

3 LEAD MAXIMUM (FIG. 1)			
ASSEMBLY 7031-	NO. OF LEADS	LEAD LENGTH (INCHES)	
		INTERNAL "A"	EXTERNAL "B"
4152	2	3.7	4.1
4156	2	36.0	120.0
5152	3	3.7	4.1
8152	1	3.7	4.1

NOTE: EACH ASSEMBLY INCLUDES GASKET 321618-49.

38 LEAD MAXIMUM (FIG. 3)			
ASSEMBLY 7031-	NO. OF LEADS	LEAD LENGTH (INCHES)	
		INTERNAL "A"	EXTERNAL "B"
1408	10	7.5	7.9
2408	20	7.5	7.9
3408	37	7.5	7.9
3422	38	7.5	7.9

NOTE: EACH ASSEMBLY INCLUDES GASKET 321618-31.

8 LEAD MAXIMUM (FIG. 2)			
ASSEMBLY 7031-	NO. OF LEADS	LEAD LENGTH (INCHES)	
		INTERNAL "A"	EXTERNAL "B"
0252	4	3.5	3.5
0256	4	6.5	14.5
7253	6	3.5	3.5
7259	8	34.0	118.5
7265	8	14.5	14.5
7272	7	6.5	14.5
7282	5	3.5	3.5

NOTE: EACH ASSEMBLY INCLUDES GASKET 321618-55.

75 LEAD MAXIMUM (FIG. 4)			
ASSEMBLY 7031-	NO. OF LEADS	LEAD LENGTH (INCHES)	
		INTERNAL "A"	EXTERNAL "B"
3077	45	18.0	18.0
3080 *	65	24.0	180.0
3083	75	7.8	7.8
3086	65	3.8	3.8

NOTE: EACH ASSEMBLY INCLUDES GASKET 311065-07.

\* LEADS ARE SPLICED ON EXTERNAL END.

NOTE: 1. ALL LEAD LENGTH TOLERANCE ±.5 INCH.

TITLE

C.T. JUNCTION BLOCK ASSEMBLY

DRWN BY:	B.M.		<b>Central Moloney, Inc.</b> <b>Components Operation</b>	
DATE	6/13/00			5500 Jefferson Parkway—Phone (870) 247-5320—Pine Bluff, Arkansas 71602
		NO.	CDS 31 001	

