

CUSTOMER DATA SHEET

BUSHING ASSEMBLY INCLUDES:

PART NUMBER	THREAD PROT. CAP	DUST PROT. CAP	GASKET BUNA 'N'	REMOVABLE STUD
70191952	1	1	1	
70191972	1	1	1	1

NOTE:

1. INTERFACE IS ANSI/IEEE 386 FIGURE NO. 3.
2. REMOVABLE STUD REPLACEMENT KIT #70190051.

TORQUE SPECIFICATIONS

- MOUNTING NUTS.....70-80 IN.-LBS.
- REMOVABLE STUD.....20-22 FT.-LBS.

MATERIALS

- BODY-BLACK, GLASS REINFORCED, ENGINEERING GRADE THERMOPLASTIC.

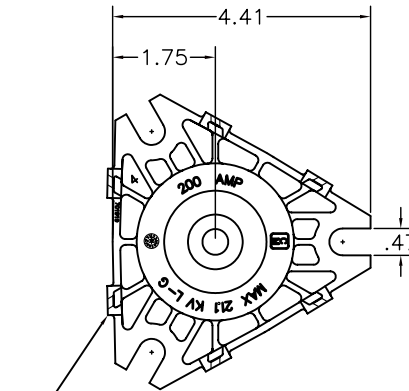
GENERAL INFORMATION

THE CENTRAL MOLONEY 200 AMP, 35 KV CLASS BUSHING WELL MEETS THE IEEE STANDARD 386-SEPARABLE INSULATED CONNECTOR SYSTEMS. IT IS DESIGNED FOR SIDEWALL USE ON DIELECTRIC FLUID INSULATED APPARATUS. THE BUSHING IS EXTERNALLY CLAMPED, DIRECTLY TO THE TANK WALL, WITHOUT USE OF A METAL CLAMPING RING. CENTRAL MOLONEY WAS THE FIRST TO INTRODUCE THIS STYLE BUSHING WELL, ALLOWING CUSTOMERS THE SAVINGS OF THE ELIMINATION OF THE CLAMP RING AND THE ELIMINATION OF CORROSION PROBLEMS ASSOCIATED WITH THE METAL CLAMP.

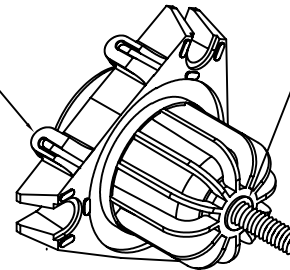
BAIL WIRE PROVISIONS ARE INTEGRALLY MOLDED INTO THE BUSHING BODY, FOR USE WITH CABLE ACCESSORIES REQUIRING THIS TYPE OF MOUNTING. THE GASKET GEOMETRY INCORPORATES CONTROLLED COMPRESSION AND ADEQUATE THICKNESS TO COMPENSATE FOR SLIGHTLY IRREGULAR MOUNTING SURFACES. THE BUNA 'N' GASKET IS ID CENTERED, PREVENTING THE POSSIBILITY OF PINCHED GASKETS. THE INTERNAL CONDUCTOR FEATURES A SHOULDER FOR POSITIVE LEAD CONNECTION WITHOUT THE USE OF A JAM NUT BENEATH THE CONNECTION LEAD. THE REMOVABLE STUD OPTION ALLOWS CONVENIENT REPLACEMENT OF A BROKEN BUSHING WELL CONDUCTOR IN THE FIELD WITHOUT BUSHING WELL REMOVAL.

ELECTRICAL RATINGS

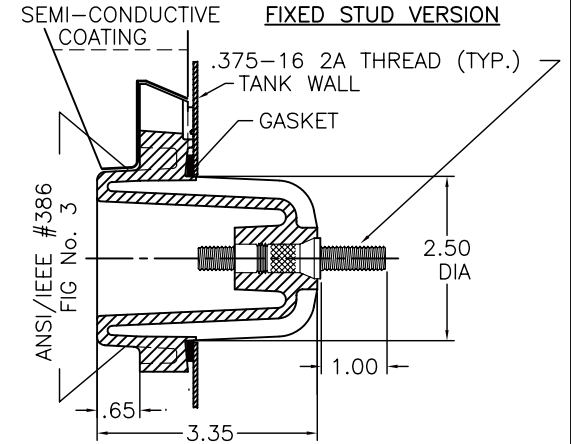
VOLTAGE CLASS.....	35 KV
MAXIMUM LINE TO GROUND.....	21.1 KV
AC 60 Hz (1 MIN.).....	50 KV
DC (15 MIN.).....	103 KV
IMPULSE B.I.L.....	150 KV
MIN. CORONA LEVEL.....	26 KV
CONTINUOUS CURRENT.....	200 AMPS



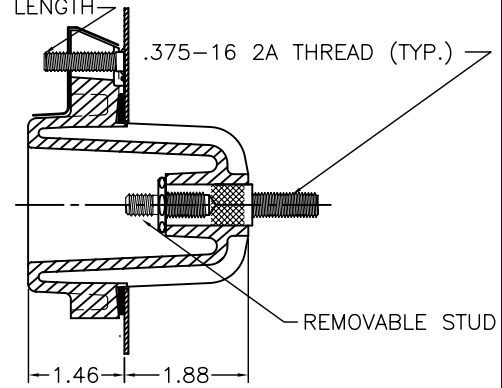
BAIL WIRE PROVISIONS



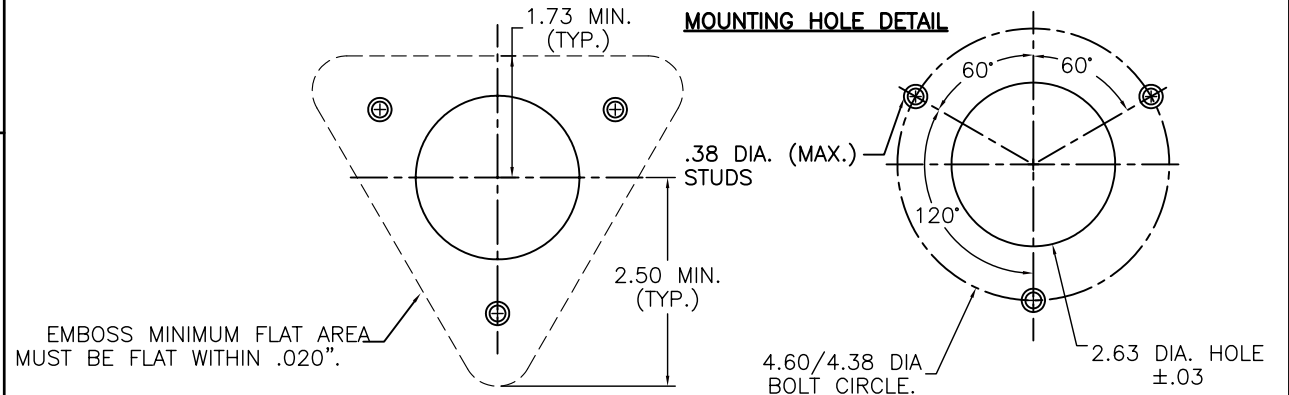
CONDUCTOR SHOULDER
.60 DIA.



MOUNTING STUD 1.38 MIN. LENGTH



MOUNTING HOLE DETAIL



DESCRIPTION

TUF EX-WELL II -200 AMP BUSHING WELL

DRAWN BY:

B. MILNER

DATE
11/15/06



Central Moloney, Inc.
Components Operation

5500 Jefferson Parkway-Phone (870) 247-5320-Pine Bluff, Arkansas 71602

NO. CDS 19 003 REV. DATE